



Engine	Cummins 6LT9.3
Rated Power	162 kW (217 hp / 220 ps) @ 2,000 rpm
Net Power	152 kW (204 hp / 207 ps) @ 2,000 rpm
Operating Weight	16,800 kg
Standard Bucket Size	3.0 m ³
Standard Breakout Force	168 kN
Standard Dump Clearance	3,037 mm

50CN WHEEL LOADER

ZL50CN SPECIFICATIONS >>>

ENGINE

Emission Regulation	Tier 2 / Stage II
Manufacturer	Cummins
Model	6LT9.3
Rated Power	162 kW (217 hp / 220 ps) @ 2,000 rpm
Net Power	152 kW (204 hp / 207 ps) @ 2,000 rpm
Peak Torque	980 N · m @ 1,200-1,400 rpm
Displacement	9.3 L
Number of Cylinders	6
Aspiration	Turbocharged

TRANSMISSION

Transmission Type	Planetary type, power shift
Torque Converter	Double stage, four elements
Maximum Travel Speed, fwd	36.3 km/h
Maximum Travel Speed, rev	14.5 km/h
Number of Speeds, fwd	2
Number of Speeds, rev	1

AXLES

Differential Front Type	Open differential
Differential Rear Type	Open differential
Axle Oscillation	±10°

STEERING

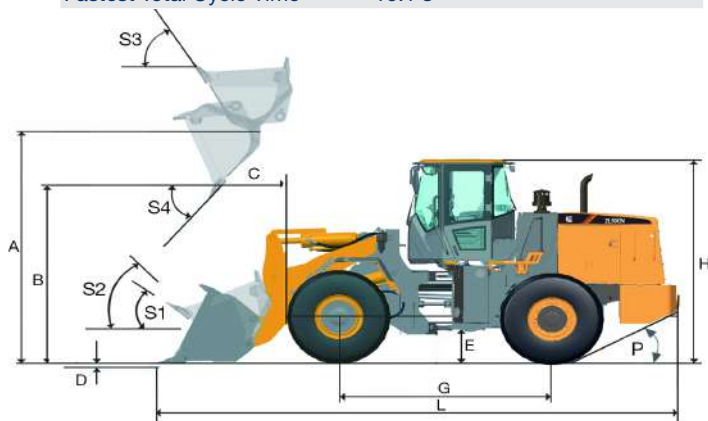
Steering Configuration	Articulated
Steering Relief Pressure	17.2 Mpa

BRAKES

Service Brake Type	Caliper discs brake
Service Brake Actuation	Air over hydraulic
Parking Brake Type	Drum
Parking Brake Actuation	Mechanical

HYDRAULIC SYSTEM

Main Pump Type	Gear
Main Relief Pressure	20.7 MPa
Raise Time	5.6 s
Dump Time	1.5 s
Float Down Time	3.0 s
Fastest Total Cycle Time	10.1 s



LOADER ARM PERFORMANCE with Standard Bucket 3.0 m³

Tipping Load - Straight (ISO 14397-1:2007)	12,500 kg
Tipping Load - Full Turn (ISO 14397-1:2007)	11,100 kg
Bucket Breakout Force	168 kN
A Maximum Hinge Pin Height	4,114 mm
B Dump Clearance at Full Height Discharge	3,037 mm
C Dump Reach at Full Height Discharge	1,169 mm
D Maximum Digging Depth, Bucket Level	50 mm
S ₁ Bucket Rollback at Ground Level	42.7°
S ₂ Bucket Rollback at Carry	48°
S ₃ Bucket Rollback at Maximum Height	62.6°
S ₄ Maximum Dump Angle at Full Height	46°

BUCKET PERFORMANCE

Reference Bucket	2.7-4.0 m ³
------------------	------------------------

DIMENSIONS

E Ground Clearance	431 mm
G Wheelbase	3,250 mm
H Cab Height	3,500 mm
J Wheel Tread	2,150 mm
K Width Over Tires	2,750 mm
L Length with Bucket Down	7,923 mm
M Turn Angle, Either Side	38°
P Rear Angle of Departure	30°
R ₁ Turning Radius, Outside of Tire	6,086 mm
R ₂ Turning Radius, Bucket Carry	6,779 mm
W Width Over Bucket	2,970 mm

TIRES

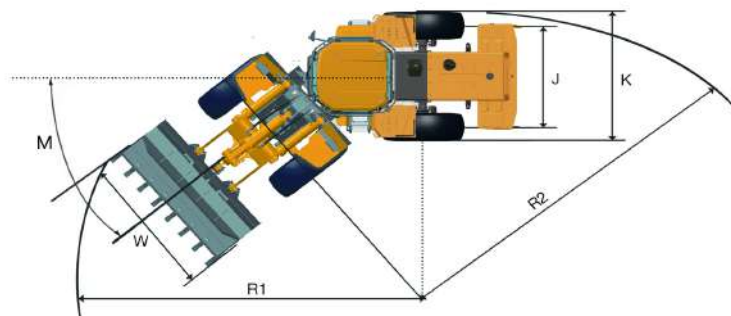
Tire Size	23.5-25PR16
-----------	-------------

OPERATING WEIGHTS

Operating Weight	16,897 kg
------------------	-----------

SERVICE CAPACITY

Fuel Tank	300 L
Engine Oil	26 L
Cooling System	40 L
Hydraulic Reservoir	232 L
Transmission and Torque Converter	45 L
Axles, Each	33 L



Guangxi Liugong Machinery Co., Ltd.

No. 1 Liutai Road, Liuzhou, Guangxi 545007, PR China

T: +86 772 3886124

E: overseas@liugong.com

www.liugong.com

Specifications and designs are subject to change without notice. Machines shown may include optional equipment. Liugong standard and optional equipment may vary from region to region. Please consult your Liugong dealer for information specific to your area. Engine power kW is converted to horsepower (1 kW=1.3596 ps and 1 kW=1.3410 hp) in this file.

11/2021 Designed by LiuGong